


## **WARNING CARPET FAN**

Any piece of equipment can be dangerous if not operated properly. **YOU** are responsible for the safe operation of this equipment. The operator must carefully read and follow any warnings, safety signs and instructions provided with or located on the equipment. Do not remove, defeat, deface or render inoperable any of the safety devices or warnings on this equipment. If any safety devices or warnings have been removed, defeated, defaced or rendered inoperable, **DO NOT USE THIS EQUIPMENT!!!**

 **WARNING:** Plastic cases and product plastic housings made from polycarbonate or other plastics can expose you to chemicals including bisphenol A, which are known to the State of California to cause cancer and birth defects or other reproductive harm. For more information, go to [www.P65warnings.ca.gov](http://www.P65warnings.ca.gov)

**APPLICATION:** Dry Carpets and hard surfaces fast! Enhance Evaporation across floors and quickly remove surface moisture in small spaces. Unique design pulls warm, dry air from above and directs it down through a louvered grill across the floor - drying in all directions! This lightweight, stackable unit is perfect for speed-drying carpet and floors, under furniture and inside cabinets. Onboard convenience outlet allows you to daisy-chain up to eight Dri-Pods on a single 15-amp circuit.

### **IMPORTANT SAFETY RULES TO FOLLOW**

1. Keep Dri-Pods grounded. Do not alter the three-pronged grounded plug for any reason.
2. When using Dri-Podss outside do not use an extension cord and only use with a GFCI PROTECTED RECEPTACLE.
3. Keep away from heaters. Do not use Dri-Pods for circulating hot air by placing the intakes close to a heater. The housing could melt or the motor could overheat and cause a fire.
4. Keep away from combustible gas. This could cause a danger of fire or explosion.
5. Never operate the machine without the inlet screen in place. Always keep it clear!
6. Avoid gaseous area. Do not operate machine in explosive atmospheres in presence of flammable liquids or gases. This motor creates sparks, which could ignite fumes.
7. Don't Abuse Cord - Never carry tool by cord, or yank it to disconnect from receptacle.

If the person receiving this handout will not be the user of the equipment, forward these instructions to the operator. If there is any doubt as to the operation or safety of the equipment,

**DO NOT USE!!! CALL A TOOL SHED IMMEDIATELY!!!**

***FAILURE TO FOLLOW THESE INSTRUCTIONS COULD RESULT IN INJURY OR DEATH***

## Owner's Manual

# Dri-Pod™ Direct Flow Carpet Dryer

Model F451 (115V)  
DRI-EAZ PRODUCTS

15180 Josh Wilson Road, Burlington, WA 98233  
Live Chat: [Info.Legendbrands.com](mailto:Info.Legendbrands.com) | [Legendbrandsrestoration.com](http://Legendbrandsrestoration.com)

*The Dri-Pod airmover creates an aggressive, high velocity 360° airflow across floor surfaces to accelerate drying.*

Patents: [LBpatents.com](http://LBpatents.com)

### READ AND UNDERSTAND BEFORE OPERATING

#### **⚠ WARNING**

##### **ELECTRIC SHOCK HAZARD**

The unit must be electrically grounded. Use only on GFCI protected receptacles.

Connect to a properly grounded outlet only. Do not cut off the grounding prong. Do not use with an adapter.

Do not use with extension cords.

Do not use with damaged cord or plug. If unit is not working as it should, has been dropped, damaged, left outdoors, or exposed to water, return it to an authorized service center for repair.

Do not leave unit unattended when plugged in. Unplug cord from outlet when not in use or when servicing unit.

#### **⚠ WARNING**

##### **ELECTRIC SHOCK HAZARD**

Keep motor and electrical parts dry.

Do not use outdoors. This unit is for indoor use only.

Do not handle plug or unit with wet hands.

Do not operate unit in standing water.

##### **ELECTRICAL SAFETY DEVICES**

**Circuit breaker:** If the circuit breaker detects overload or short circuit conditions, the breaker will automatically shut off the electrical supply. If this should occur, check the power cable carefully for any damage and ensure it is plugged into a properly grounded outlet. Press the Circuit Breaker Reset Switch (Fig. A) to reestablish the electrical supply.

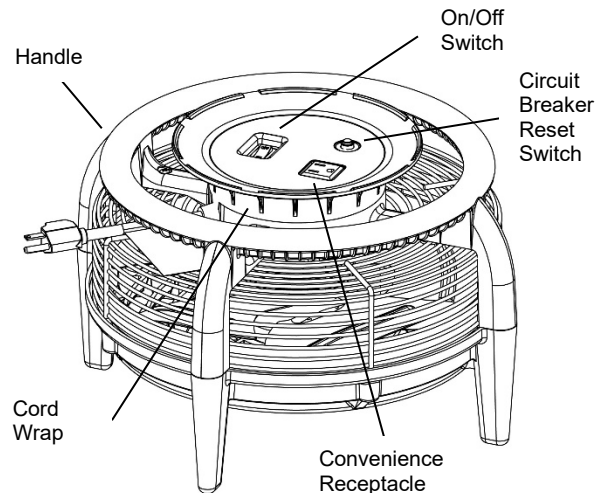
##### **OPERATING INSTRUCTIONS**

1. Unwrap the cord and plug the unit into a standard 115V outlet. CAUTION: Be sure switch is in the off position before connecting unit to power outlet.
2. Position the Dri-Pod in the center of an area to be dried. Switch on. The Dri-Pod can dry an area approximately 10 × 10 ft. (3 × 3 m).
3. When surface is dry to the touch, switch unit off and reposition the unit in the next section to be dried.
4. When finished, unplug the unit and re-wrap the cord in the cord wrap.

##### **TRANSPORTING AND STORING**

Always use the handle to move or carry the unit. Units may be stacked for transport and storage. When transporting in a vehicle, secure the unit carefully to prevent sliding and damage to the unit and/or injury to vehicle occupants.

#### **PARTS IDENTIFICATION**



**FOR SERVICE CALL YOUR LOCAL DISTRIBUTOR or the Legend Brands Service Department at 800-932-3030**

#### **SPECIFICATIONS**

Model	F451
Weight	10.5 lbs.   4.8 kg
Dimensions (D × W × H)	15.2 × 15.2 × 9.3 in. 38.5 × 38.5 × 22.6 cm
Amp draw	1.0 amps
Control	On/Off switch, circuit breaker, receptacle
Power	115W/115V
Cord length	10 ft.   3 m
Fan	5 blades
Construction	Injection molded housing, wire grill
Safety	UL listed

*Specifications are subject to change without notice. Some values may be approximate.*