



WARNING - ELECTRIC DEMOLITION HAMMER

Any piece of equipment can be dangerous if not operated properly. **YOU** are responsible for the safe operation of this equipment. The operator must carefully read and follow any warnings, safety signs and instructions provided with or located on the equipment. Do not remove, defeat, deface or render inoperable any of the safety devices or warnings on this equipment. If any safety devices or warnings have been removed, defeated, defaced, or rendered inoperable, **DO NOT USE THIS EQUIPMENT!!!**

SMI Dust and Silica Warning

Grinding/cutting/drilling of masonry, concrete, metal and other materials can generate dust, mists and fumes containing chemicals known to cause serious or fatal injury or illness, such as respiratory disease, cancer, birth defects or other reproductive harm. If you are unfamiliar with the risks associated with the particular process and/or material being cut or the composition of the tool being used, review the material safety data sheets and/or consult your employer, the manufacturers/suppliers, governmental agencies such as OSHA and NIOSH and other sources on hazardous materials. California and some other authorities, for instance, have published lists of substances known to cause cancer, reproductive toxicity, or other harmful effects. Control dust, mist and fumes at the source where possible. In this regard use good work practices and follow the recommendations of the manufacturers/suppliers, OSHA/NIOSH, and occupational and trade associations. Water should be used for dust suppression when wet grinding/cutting/drilling is feasible. When the hazards from inhalation of dust, mists and fumes cannot be eliminated, the operator and any bystanders should always wear a respirator approved by NIOSH/MSHA for the material being used. Grinding/cutting/drilling of masonry, concrete and other materials with silica in their composition may give off dust or mists containing crystalline silica. Silica is a basic component of sand, quartz, brick clay, granite and numerous other minerals and rocks. Repeated and/or substantial inhalation of airborne crystalline silica can cause serious or fatal respiratory diseases, including silicosis. In addition, California and some other authorities have listed respirable crystalline silica as a substance known to cause cancer. When grinding/cutting/drilling such materials, always follow the respiratory precautions mentioned above.

 **WARNING:** Operating, servicing, and maintaining this equipment can expose you to chemicals including Silica Crystalline (airborne particles of respirable size), Chromium (Hexavalent Compounds) & Chromium 6 (Chromium VI) from concrete which are known to the State of California to cause cancer and birth defects or other reproductive harm. To minimize your exposure, avoid breathing dust. For more information go to www.P65warnings.ca.gov

 **WARNING:** This product contains rubber which can expose you to chemicals including 1,3-Butadiene, and DEHP, which are known to the State of California to cause cancer and birth defects or other reproductive harm. For more information go to www.P65warnings.ca.gov

WARNING

- Do not tape down or otherwise by-pass any safety devices! Always operate this equipment from the designated operator's position.
- Never operate power equipment of any kind if you are tired or if you are under the influence of alcohol, drugs, medication or any substance that could affect your ability or judgment. Be alert! If you get tired while operating this equipment, take a break. Tiredness may result in loss of control.
- Use extreme caution: The bit is very sharp! Keep your hands, feet and all other body parts clear of the bit at all times.
- This 120-volt equipment may require a grounded outlet, do not modify plug.
- Always wear eye, dust, and hearing protection.
- Warning bit gets very hot during use. Use care when changing bits.
- Do not Abuse Cord - Never carry tool by cord or yank it to disconnect from receptacle.
- Do not use around flammable liquids or gasses, sparks could cause fire or explosion.
- Call "811" 2 days before beginning work, to have the FREE underground inspection.

IMPORTANT SAFETY RULES TO FOLLOW

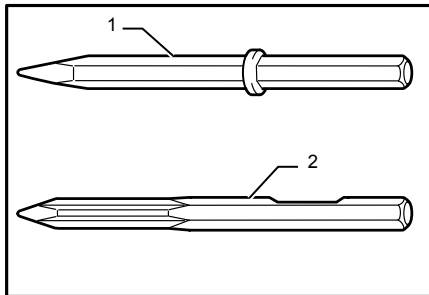
1. Do not use electric hammers in damp or wet locations. Do not expose electric hammers to rain. Failure to follow these instructions increases the risk of electrocution.
2. Avoid gaseous areas. Do not operate this electric hammer in explosive atmospheres in presence of flammable liquids or gases. Motors in tools spark, which could ignite fumes.
3. Do not wear loose clothing or jewelry. Wear safety glasses, ear protection, and dust mask. Always wear steel-toed boots.
4. Always inspect electric hammer for frayed or damaged cords. Do not use if tool is not in proper working order.
5. Avoid accidental starting. Do not carry plugged in electric hammer with finger on switch. Be sure the switch is in the "OFF" position before plugging in to an outlet.
6. Never connect electric hammer to any source that does not match the voltage of the electric hammer.
7. Do not force the electric hammer. The electric hammer works best at its own rate. Only use for the purpose it was intended for.
8. If electric hammer should get stuck, remove the machine from the steel bit and lightly hammer on the stuck bit from side to side. **DO NOT HIT SHANK!** Under no circumstances should you attempt to pry the steel bit out while the machine is still attached!
9. Unplug the electric hammer when not in use, changing steel bit or when servicing.
10. Do not let the electrical cord come into contact with the bit or sharp objects. Cutting the cord will cause an electrical hazard. Always lift the cord over the machine.

If the person receiving this handout will not be the user of the equipment, forward these instructions to the operator. If there is any doubt as to the operation or safety of the equipment, **DO NOT USE!!! CALL A TOOL SHED IMMEDIATELY!!! FAILURE TO FOLLOW THESE INSTRUCTIONS COULD RESULT IN INJURY OR DEATH**

Installing or removing the bit (optional accessory)

⚠ CAUTION:

- Always assure that the bit is securely retained by attempting to pull the bit out of the tool holder after installing the bit.
- Follow the below 2 installation methods in accordance with the 2 different types of bits. If inappropriate installation method is selected, the bit cannot be secured.

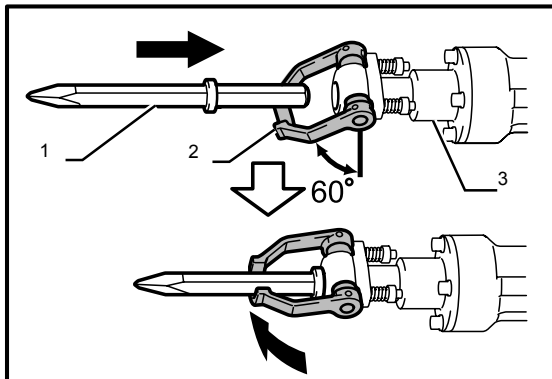


1. Bit with collar
2. Bit without collar

This tool accepts bits either with or without a collar on its shank.

To install the bit, follow either procedure (1) or (2) described below.

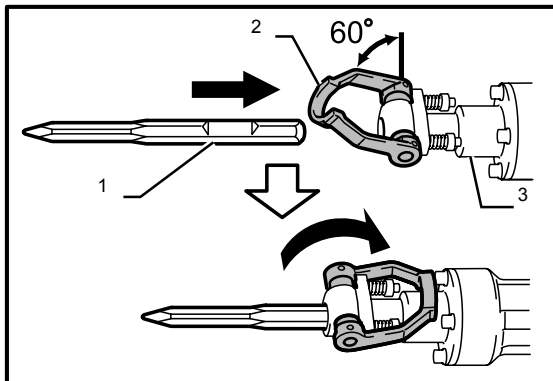
(1) For bits with a collar:



1. Bit
2. Tool retainer
3. Tool holder

Pivot the tool retainer downward (approx. 60 degrees). Insert the bit into the tool holder until it stops. Return the tool retainer and secure the bit.

(2) For bits without a collar:



1. Notched portion of the bit
2. Tool retainer
3. Tool holder

Pivot the tool retainer upward (approx. 60 degrees). Face the notched portion of the bit upward. Insert the bit into the tool holder until it stops. Pivot the tool retainer further until it stops at the tool holder.

To remove the bit: follow the installation procedures in reverse.